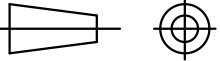
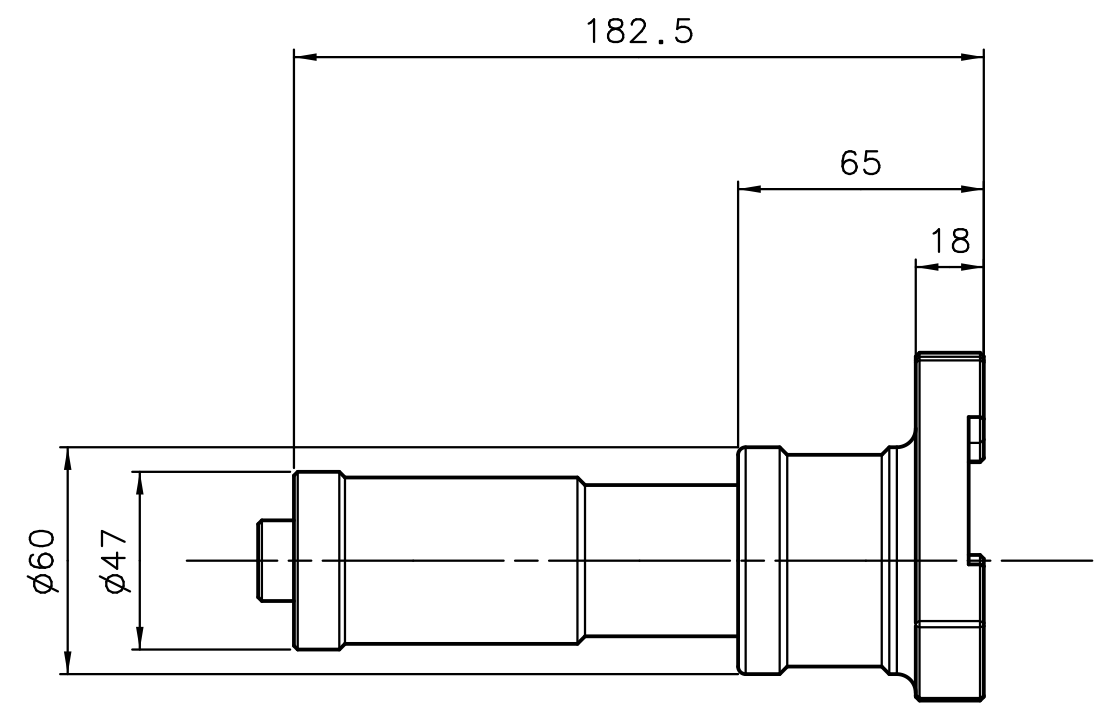
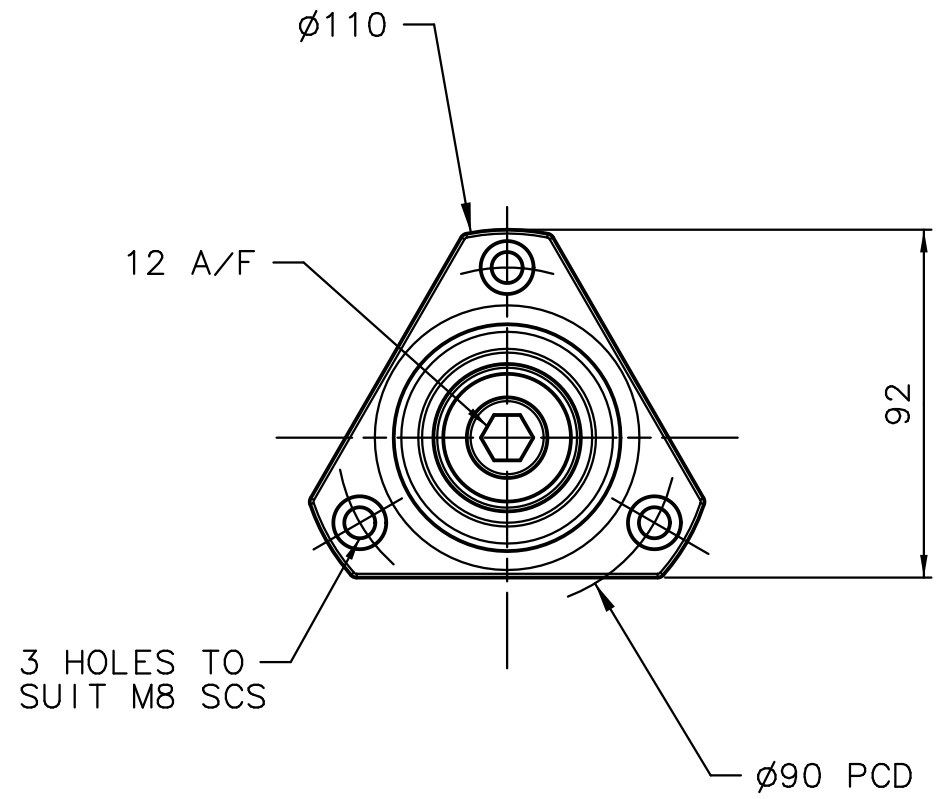
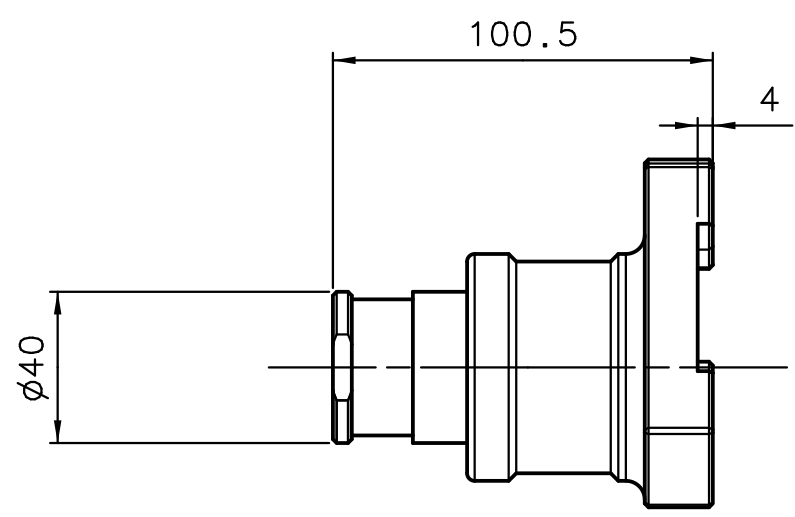
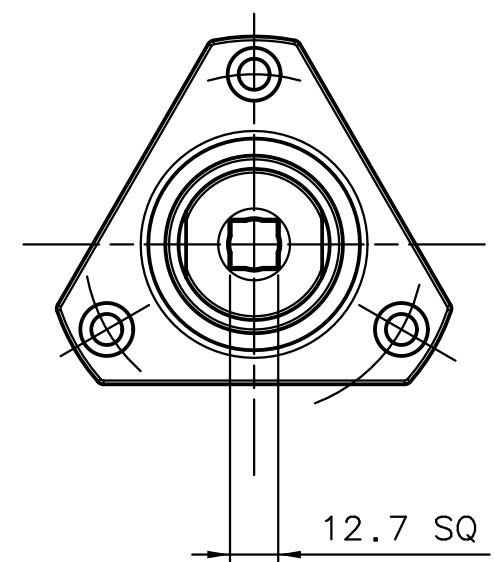


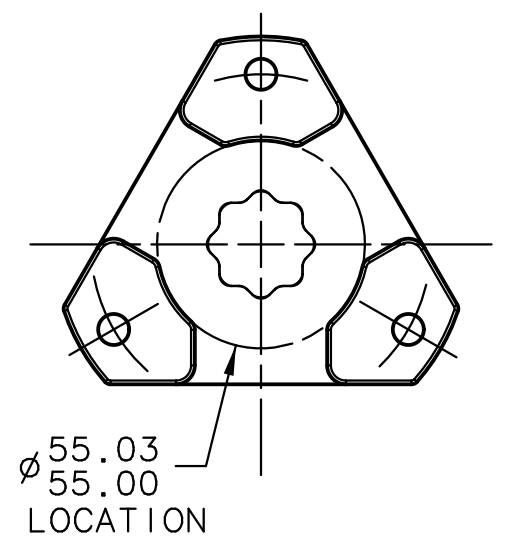
PROJECTION 




WITH RUNDOWN FIXTURE



WITH 1/2" SOCKET



MOD No.:	DATE:	SIG.:	MATERIAL	SCALE 1:2	IF IN DOUBT ASK	DO NOT SCALE DIMENSIONS IN MILLIMETRES (MM)	DRAWN BY PKD	TITLE 150Nm FMT OUTLINE DRAWING	
MODIFICATION DETAIL			FORM	A3	REMOVE ALL SHARP EDGES UNLESS STATED OTHERWISE (0.5 MAX CHMF)	TOLERANCES UNLESS STATED OTHERWISE	DATE DRAWN 22AUG03		
			HEAT TREATMENT			DIMENSIONAL ± 0.3 ANGULAR $\pm 1/2^\circ$ HOLES H11			
			FINISH			SURFACE TEXTURE NOT TO EXCEED N8 UNLESS STATED	 NORBAR TORQUE TOOLS LTD.	DRAWING NUMBER 50674.0L	ISSUE 1